

External
Fixator Brochure



Response Ortho is a global orthopaedic trauma solutions manufacturer offering premium products created under its founding principles of innovation, excellence by design and functional superiority.





CONTENTS

- 3** Introduction
- 4** Computer Assisted Circular Fixator
- 6** Articular Hinge System
- 8** Rail Fixator System
- 10** PDF Elbow Fixator
- 12** Wrist Fixator System
- 14** Large Bar Fixator System
- 16** Standard Ankle Fixator System
- 18** Standard Hybrid Fixator System
- 20** Standard Fixator System
- 22** Screws and Wires
- 24** Notes

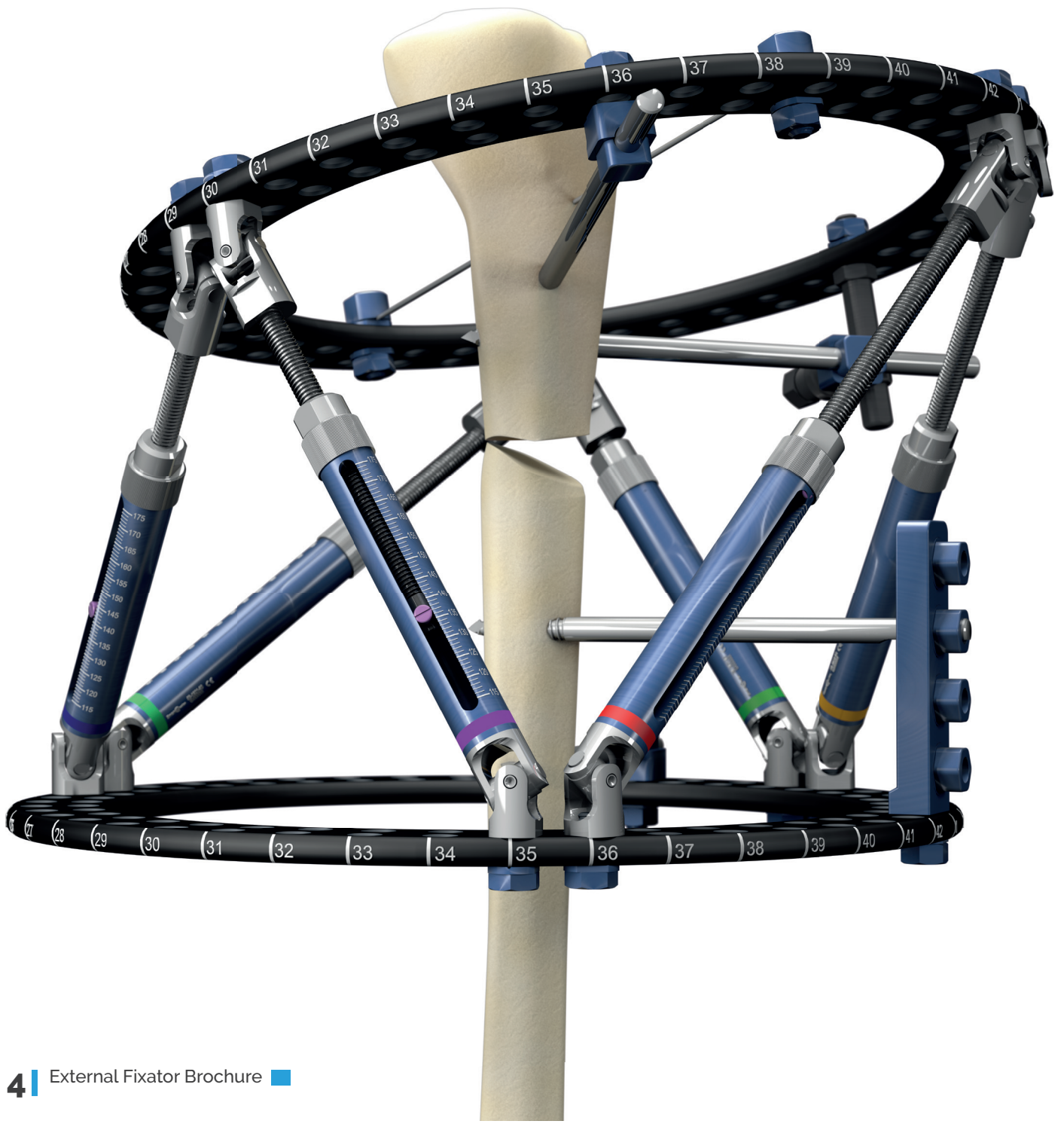
www.responseortho.com

Introduction

Response Ortho design and manufacture innovative external fixation products to improve patient comfort. Our product range offers comprehensive solutions for both reconstruction and trauma specialties.

Trauma fixators provide simplified solutions. Our products cover almost all extremities and/or fracture types through a wide variety of clamps and hybrid combinations.

Reconstruction and deformity correction products restore ideal anatomy for patients with congenital deformity, post-traumatic deformity and patients needing limb lengthening. Response Ortho deformity solutions are available for pediatric and adult patients.



Computer Assisted Circular Fixator

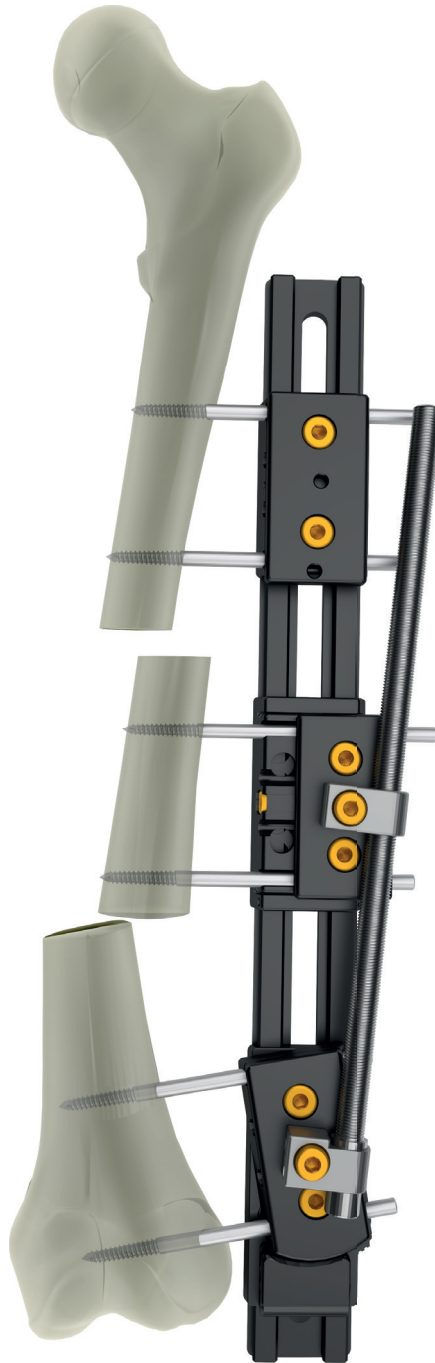
- Easy-to-Use and Intuitive Computer Assisted Navigation Software
- Variable strut positioning
- No reference ring needed
- No master tab needed
- No mounting parameters needed
- Wide size range; struts 55mm-495mm; rings 105mm-220mm
- Full, 2/3 and foot rings available in aluminium and carbon fiber
- Any different diameter and shape rings can be used together
- MRI compatible lightweight frame
- Ideal for complex trauma - affords rapid acute correction with secondary computer assisted deformity adjustment

Easy Application, High Mechanical Stability, Precise Correction



Articular Hinge System

- Designed to be used with the Unilateral Hybrid Fixator and Smart Correction Circular External Fixator
- Distraction and rotational stability with full range of motion of knee joint
- Allows gradual distraction and/or compression after surgery
- Allows rings to be fixed 16-60mm from the knee's centre of rotation (32-120mm distance between rings)
- Light-weight and MRI compatible



Rail Fixator System

- Gradual and acute correction of angular and translational deformities limb-length inequality, and bone transport
- $\pm 25^\circ$ angulation with Angular Clamp
- $\pm 20\text{mm}$ translation with Translational Clamp
- Double Distractor Clamps for bi-focal applications
- 4 different lengths of gradual compression/ distractor units
- Suitable for all Femoral and Tibial applications in pediatric and adult patients
- Modularity and flexibility with other UniX Fixator Family and Smart Correction components
- Lightweight aircraft grade aluminium for strength and patient comfort



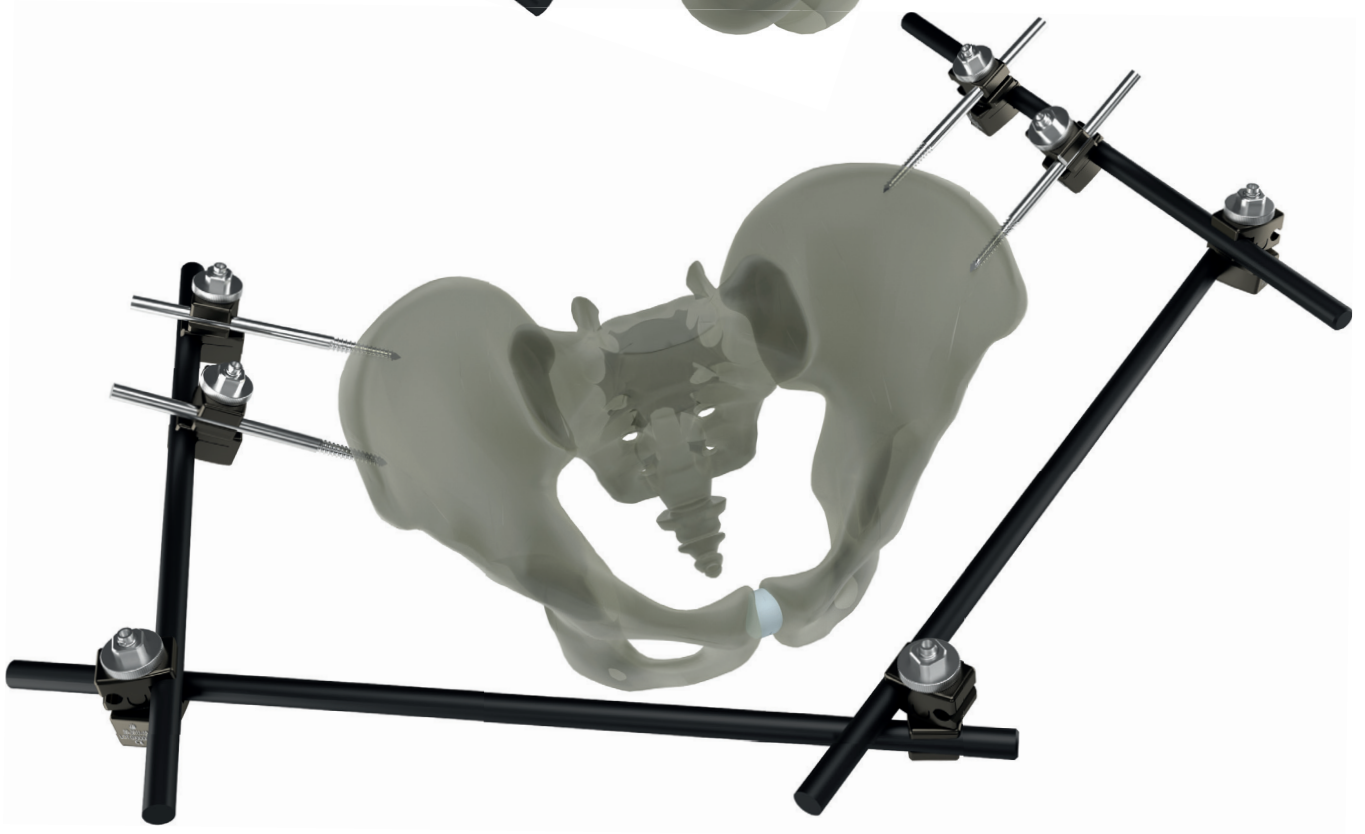
PDF Elbow Fixator

- Lower-profile, patient-friendly lightweight construct
- Indicated for post-traumatic elbow stiffness and acute elbow trauma indications
- Unique design for non invasive positioning at the point of rotation
- Pin-to-Bar clamps allow flexibility for variable bone screw fixation to the ulna and humerus
- 15mm of Intra-Articular Elbow Distraction
- Central window provides surgical and radiographic access
- 0° to 120° natural flexion and extension (w/30° limitation)
- Passive distraction component provides excellent support for stiff elbow patients



Wrist Fixator System

- Simple and effective solution for treatment of complex distal radius fractures
- $\pm 8\text{mm}$ Dorsal/Palmar translation
- Radiolucent fixator body
- Ball-Joint socket allows accurate adjustment of wrist position
- Gradual post-op distraction
- Variable distal bone screw placement 15mm-20mm-25mm
- Low-profile and lightweight design
- Implants and instruments provided in a single sterile pack



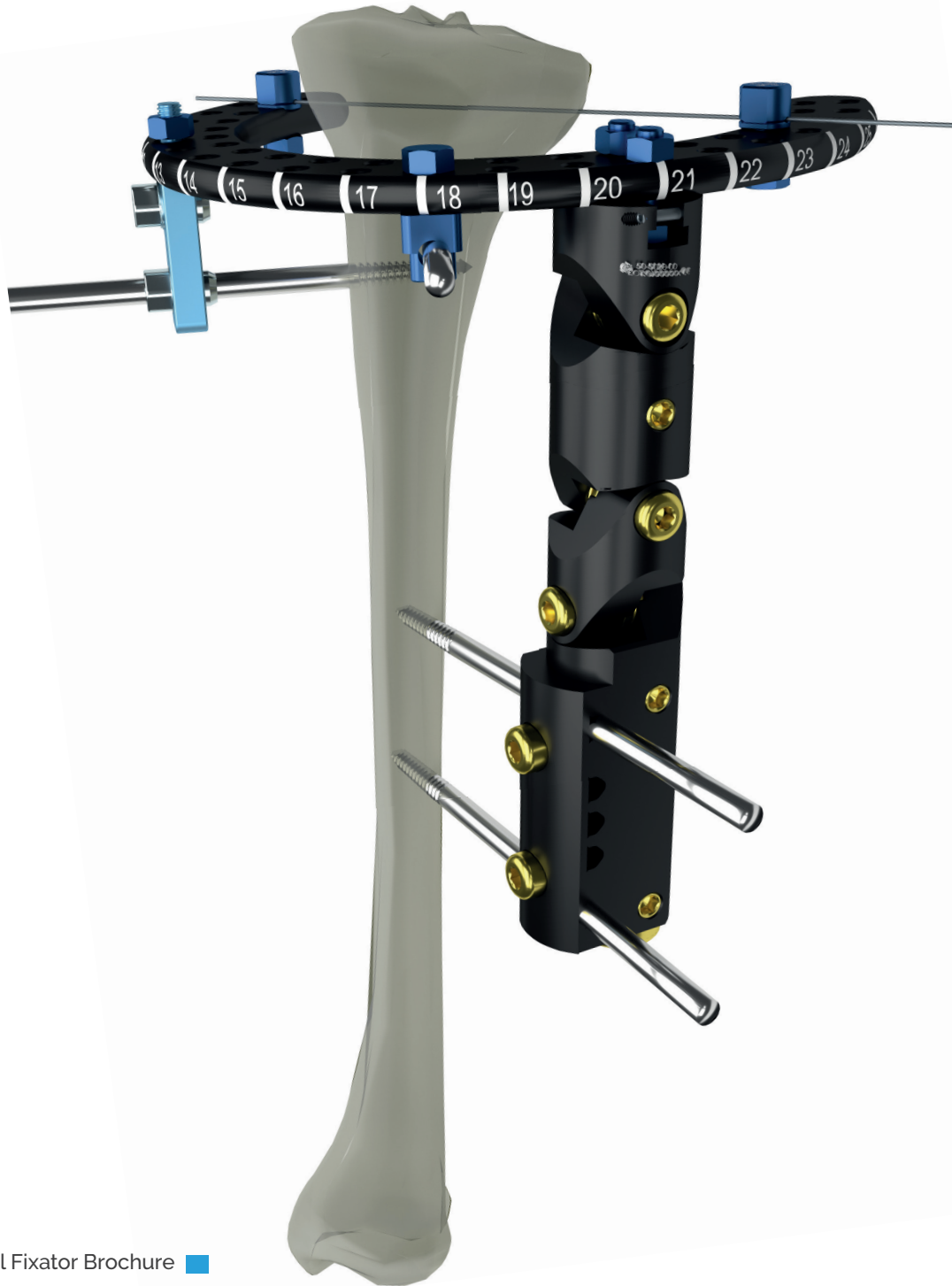
Large Bar Fixator System

- Bar-clamp combination for fixation of lower and upper limb fractures
- Single clamp design allows pin to bar and/or bar-to-bar fixation
- Bar-to-bar clamps provide rotational and angular fixation of the bars
- Carbon fiber rods are available with radiopaque marker for optimal radiographic visualization
- Independent bone screw placement allows highly customized constructs
- Three sizes of C/D unit for fracture reduction
- Compatible with other Response Ortho external fixators



Standard Ankle Fixator System

- C-clamp design provides surgical and radiographic access
- Built-in C/D unit for gradual intra-articular ankle distraction
- Strong distal fixation with screws into Talus and Calcaneus
- Forgiving joint articulation (120°) and 360° rotational body for precise angular, rotational and translational corrections
- Lightweight aircraft grade aluminium for strength and patient comfort



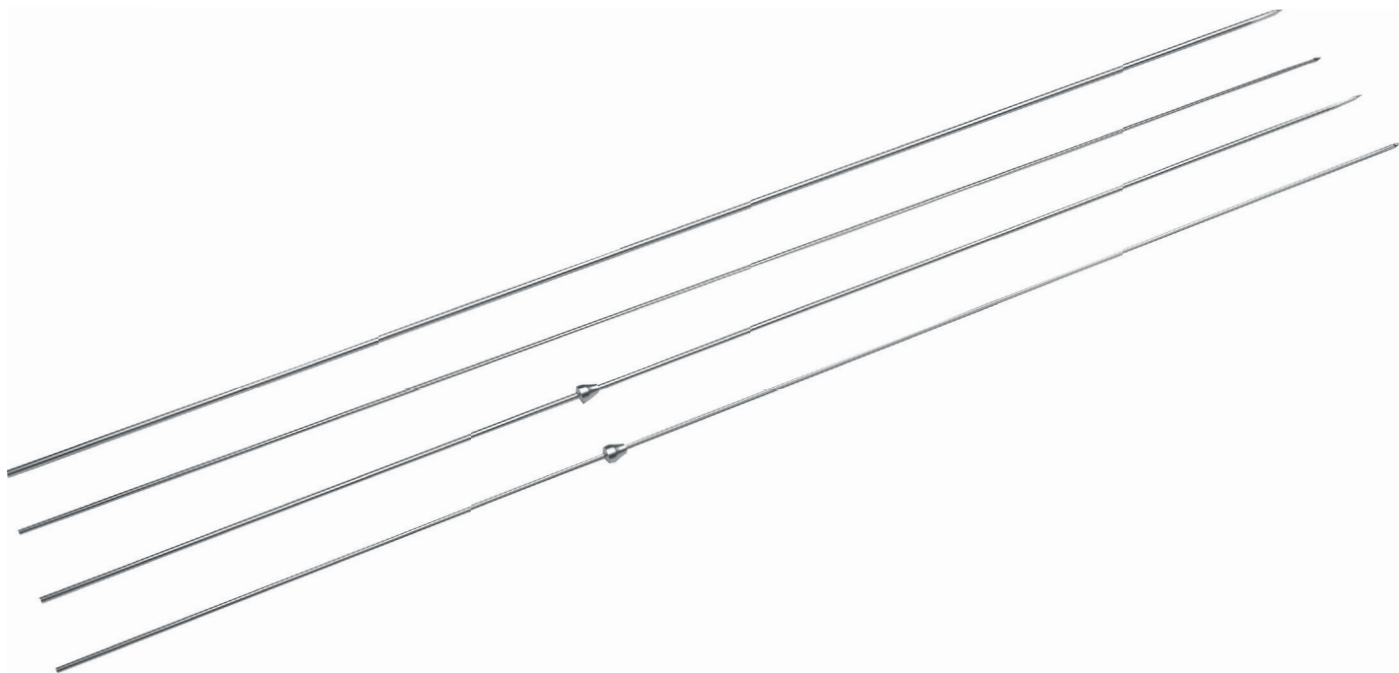
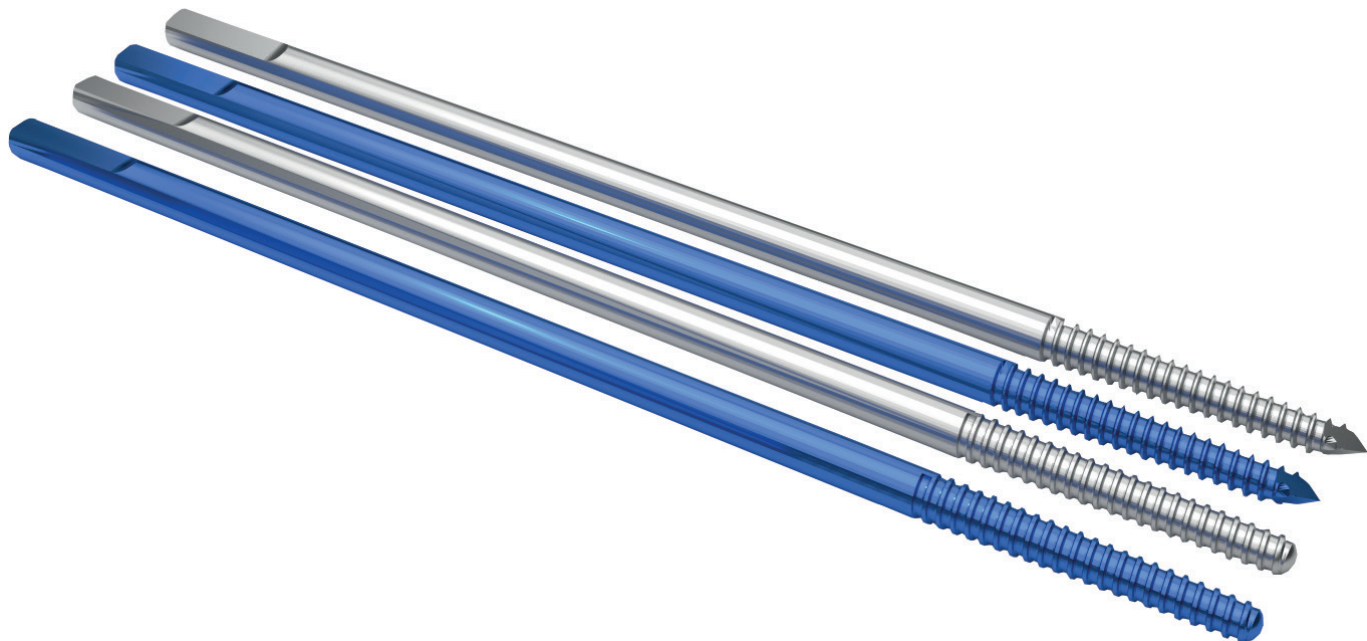
Standard Hybrid Fixator System

- Designed for the stabilization of Intra-articular and peri-articular fractures
- Compatible with Smart Correction components providing flexibility for metaphyseal humeral, femoral and tibial applications
- Allows angular, rotational and translational correction for precise fracture reduction
- Indicated for use in the treatment of bone conditions including leg lengthening, osteotomies, arthrodesis and fracture fixation
- Forgiving joint articulation (120°) and 360° rotational body for precise angular, rotational and translational corrections



Standard Fixator System

- Highly adjustable system adopts multitude configurations that can address periarticular as well as diaphyseal applications
- Intended to use for complex fractures, malunions, fusions and corrective osteotomies indications
- Modularity and flexibility with other UniX Fixator Family and the Smart Correction Fixator, components
- Standard and convergent T-clamps in both small and standard sizes, with parallel and off-set bone screw application options
- All clamps are suitable to be used with both small and standard sizes
- 3 different size clamps provides 30-50 and 80mm C/D
- Exceptional holding strength with serrated locking connectors
- Forgiving joint articulation (120°) and 360° rotational body for precise angular, rotational and translational corrections



Screws and Wires

- Tapered screw design
- Blunt and trocar point bone screw option
- HA coated and non-coated screws are available
- 6mm screw shank for 4,5mm and 6mm screw diameters

- Trocar and bayonet point wire option
- Wire options available including Stainless Steel, Titanium, Straight and Olive (Stopper)

- Available in titanium or stainless steel

notes



A series of horizontal dotted lines spanning the width of the page, intended for taking notes.

notes



A series of horizontal dotted lines spanning the width of the page, intended for handwritten notes.

CLICK 2 CORRECT



Click2Correct™ Web App

Click2Correct™ Preoperative Planning and Templating Software offers reduced planning time, the easiest user interface possible and an improved template library.



Web Based
Interface



Multi Platform
Support



Touch Screen
Compatible



Unlimited Cloud
Storage



Multi User
Support

www.click2correct.com

manufactured or distributed by



www.responseortho.com

Response Ortho / Headquarters

725 River Road, Suite 32-254
Edgewater, NJ 07024, USA

Phone: +1 (201) 203 5773

Fax: +1 (201) 608 7169

e-mail: info@responseortho.com

EMEA

ITOSB, 10. Cadde, No:1, Tepeoren
Tuzla, Istanbul, 34959, TURKEY

Phone: +90 (216) 314 11 04